

# M91 Micro Incubator

Micro digital Incubator suitable for biological cultures, diagnostic and food testing, medical research, water analysis, quality control, HACCP, cosmetics, pharmaceutical and chemical industry, biotechnologies.

Reliable, Safe, Accurate

## Features

- Volume 6 liters
- Temperature range 5°C above ambient to +60°C
- Temperature deviation over time (accuracy)  $\pm 0.2^\circ\text{C}$  at  $+40^\circ\text{C}$
- Uniformity  $\pm 0.5^\circ\text{C}$
- Power 120 W
- External structure powder coated, solvent-free RAL7035
- High quality insulation
- Inner chamber in anodized aluminum
- Heaters uniformly arranged
- Transparent door, excellent visibility
- Environment-friendly components
- High uniformity and thermal stability
- Green light main switch
- Bipolar fuses
- Version 230V ac and handle version 12V dc
- In accordance to CEI 66-5 and EN 61010-1



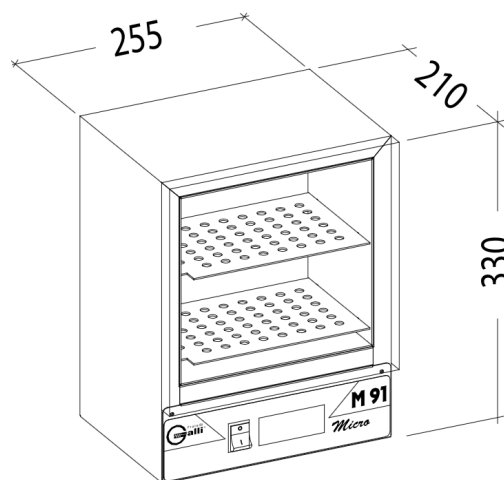
Versatile and compact with viewing window

## AG-SYSTEM SMART

- Microprocessor Control PID Digital
- Resolution  $\pm 0.1^\circ\text{C}$
- Double Digital Display allowing simultaneous visualization of set point and actual inner temperatures
- Solid State Relay "Zero Crossing" low noise
- Auto-tuning function of parameters control
- Calibration function + Offset function

## Standard Equipments

- ✓ No. 2 Perforated shelves
- ✓ No. 1 Instruction Manual
- ✓ No. 1 Cable supply
- ✓ No. 1 CE Conformity Certificate
- ✓ No. 1 Warranty Certificate



Interior dimensions (mm): 210(W)x140(D)x200(H)  
Exterior dimensions (mm): 255(W)x210(D)x330(H)  
Packaging dimensions (mm): 350(W)x310(D)x430(H)  
Gross weight 7 Kg



Distributed by **Liofilchem® s.r.l.**

Via Scozia zona ind.le, 64026 Roseto degli Abruzzi (Te) Italy  
Tel. +39 0858930745 Fax +39 0858930330



Distribuciones Industriales y Científicas S.L.

ciencia e innovación